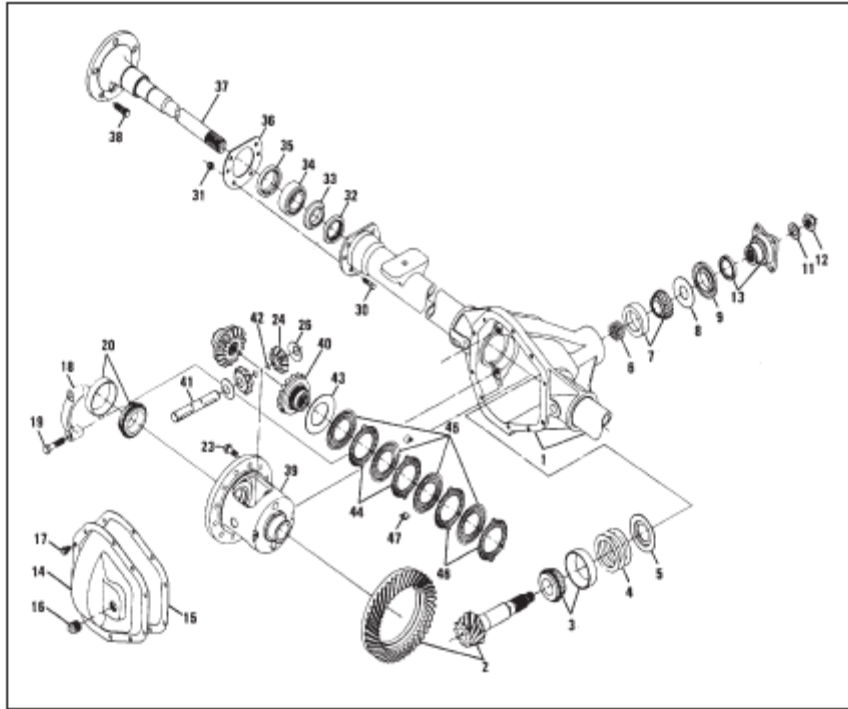


## Rear Axle Assembly



ITEM	PART NUMBER	DESCRIPTION	DANA PART NO.	QTY.
1	55010	Housing-Axle	*	
2	64004	Gear & Pinion Ass'y-Drive	*	
3	55030	Kit-Inner Pinion Bearing	706031X	
4	55040	Shim-Drive Pinion Adjusting	*	
5	55050	Baffle-Pinion Bearing	*	
6	55080	Shim-Pinion Bearing Adjusting	*	
7	55022	Kit-Outer Pinion Bearing	706030X	
8	55080	Slinger-Pinion Bearing Outer	*	
9	55090	Seal-Pinion	35723	

Continued On Next Page

**Rear Axle Assembly (Continued)**

ITEM	PART NUMBER	DESCRIPTION	DANA PART NO.	QTY.
11	55110	Washer-Pinion Nut	30186	
12	55120	Nut-Pinion	30185	
13	55130	Companion Flange Assembly	2-1-1881X	
14	55140	Cover-Carrier	*	
15	55150	Gasket-Carrier Cover	34885	
16	55160	Plug-Cover	36472	
17	55170	Bolt-Carrier Cover	34279	
18	55180	Cap-Differential Bearing	**	
19	55190	Bolt-Differential Bearing Cap	500400-20	
20	55200	Kit-Differential Bearing	706032X	
21	55210	Shim-Differential Bearing	*	
22	55220	Case-Differential	*	
23	55230	Bolt-Drive Gear	30187	
24	55240	Pinion-Differential	*	
25	55250	Gear-Differential	*	
26	55260	Thrust Washer-Differential Pinion	*	
27	55270	Thrust Washer-Differential Gear	*	
28	55280	Shaft-Differential	*	
29	55290	Lock-Differential Shaft	13449	
30	55300	Bolt-Break Mounting	34616-1	
31	55310	Nut-Brake Mounting	35704	
32	55320	Seal-Shaft Inboard	34419	
33	55330	Ring-Wheel Bearing Retaining	32755	
34	55340	Bearing Assembly	565903	
35	55350	Seal-Shaft Outboard	35239	
36	55360	Retainer-Oil Seal	35490	
37	55370	Shaft-Axle Flanged	*	
38	55380	Bolt-Wheel	35491	
<b>LIMITED SLIP DIFFERENTIAL (TRAC-LOK) STD. ON SER #9975236 &amp; UP</b>				
39	55390	Case-Differential	*	
40	55400	Gear-Differential	*	
41	55410	Shaft-Differential	*	
42	55420	Ring-Snap	*	
43	55430	Spacer-Differential Gear (Dished)	*	
44	55440	Plate-Differential	*	
45	55450	Disc-Differential	*	
46	55460	Plate-Differential (Selective Thickness)	*	
47	55470	Clip-Differential Clutch Retainer	*	