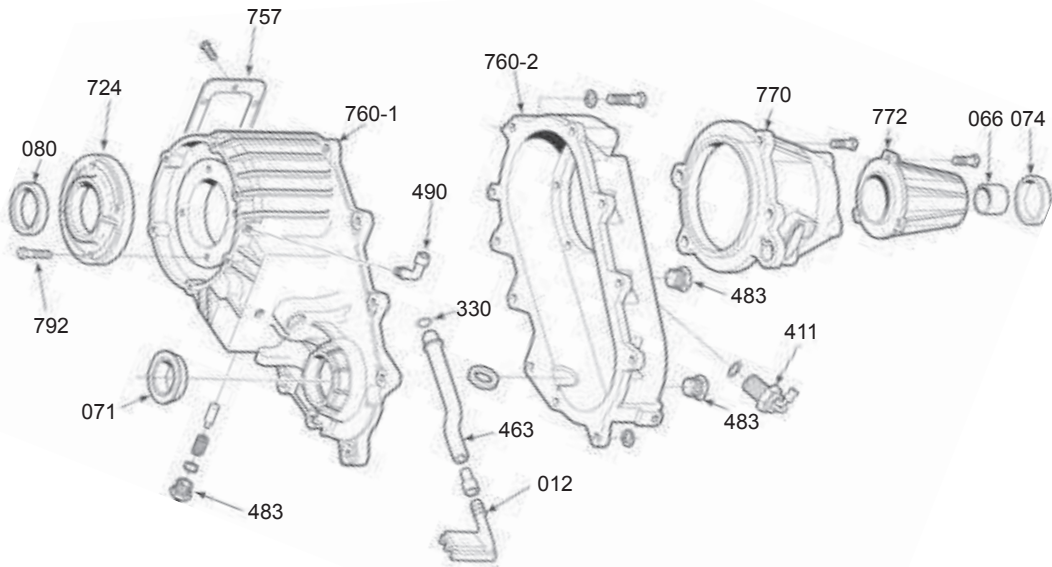
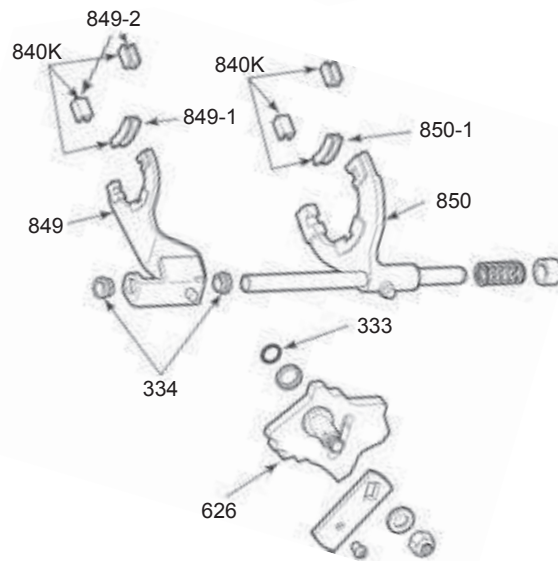


NP 241

A



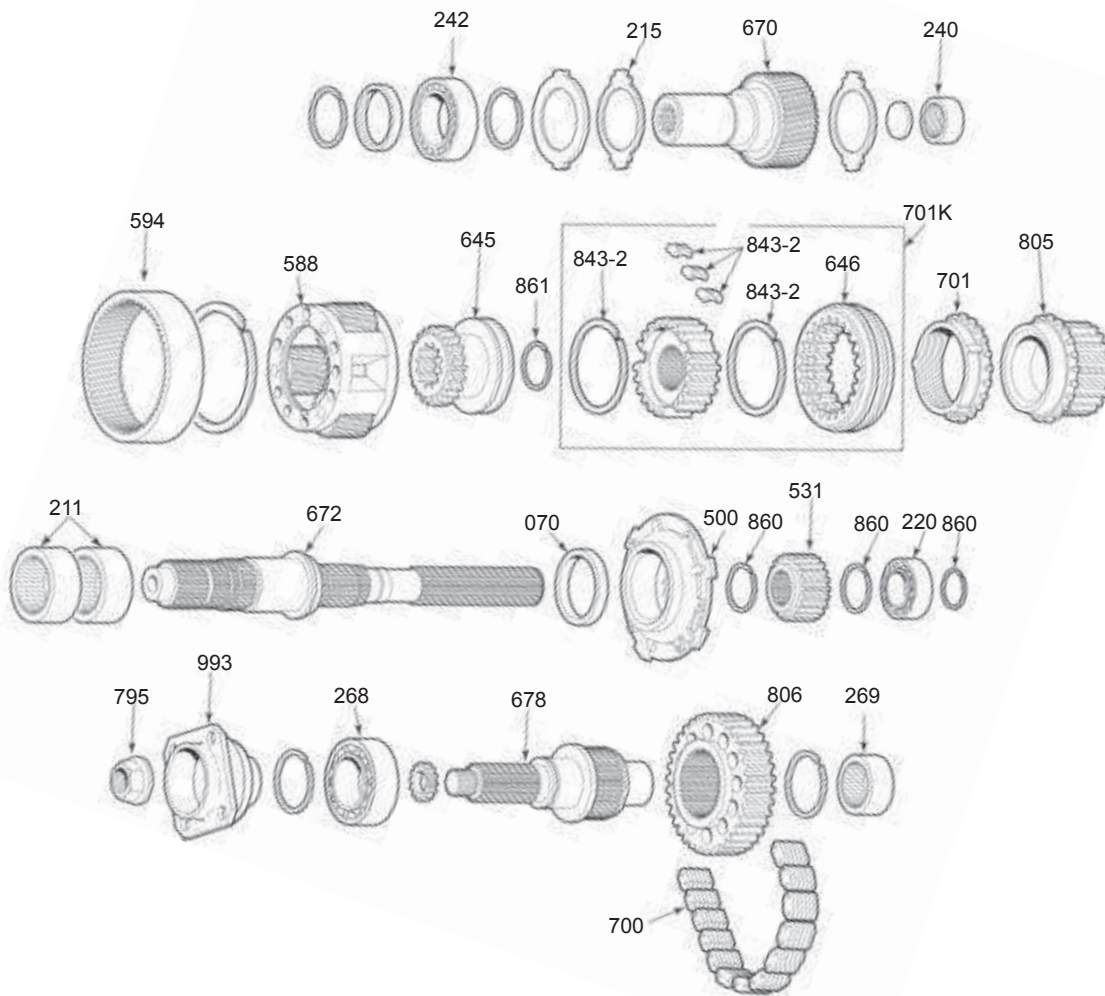
B



NP 241



352



C
D
E
F

NP 241

NP 241

NP 241

ILL NO.	DESCRIPTION	PART NO.	REFERENCE
BEARING KITS			
N.I.	GM (88-94) (Uses 24mm Wide Input Bearing)	BK241	N.L.
N.I.	GM (95-99) (Uses 16mm Wide Input Bearing)	BK241A	N.L.
N.I.	Jeep	BK241J	N.L.
N.I.	Dodge Exc HD (88-92) (Passenger Side Front Output Shaft)	BK241D	N.L.
N.I.	Dodge Exc HD (93-01) (Uses 16mm Wide Input Bearing)	BK241A	N.L.
N.I.	Dodge Exc HD (93-01) (Uses 24mm Wide Input Bearing)	BK241	N.L.
N.I.	Dodge Exc HD (02-Up) (Uses 24mm Wide Input Bearing)	BK241	N.L.
N.I. Snap Ring Groove for the Input Bearing is Near the Edge		
N.I.	Dodge Exc HD (02-Up) (Uses 24mm Wide Input Bearing)	BK241E	N.L.
N.I. Snap Ring Groove for the Input Bearing is in the Middle		
N.I.	Dodge NP241DHD (97-02) (1 Piece Ext. Hsg, Uses 16mm Wide Input Brg)	BK241B	N.L.
N.I.	Dodge NP241DHD (97-02) (1 Piece Ext. Hsg, Uses 24mm Wide Input Brg)	BK241C	N.L.
SMALL PARTS KITS			
N.I.	All	352001	SP241-50
GASKET & SEAL KITS			
N.I.	NP 241 (GM).....	TSK208	TSK-208
N.I.	NP 241 (Jeep).....	TSK241J	TSK-241J
N.I.	NP 241D (Dodge) (Manual Shift) (02-Up).....	TSK241D	TSK-241D
N.I.	NP 241D (Dodge) (2 Piece Ext. Housing).....	TSK241	TSK-241
N.I.	NP 241D (Dodge) (1 Piece Ext. Housing).....	TSK241A	TSK-241A
FILTERS			
012A	Pump Screen (Filter) (GM, Dodge).....	351012	16217
SEALS			
070E	Pump Seal	321070	22306
080A	Input Seal.....	301080	4435
071A	Front Output Seal.....	305071	18662
074A	Rear Output Seal (2.760" x 1.800").....	305071	18662
074A	Rear Output Seal (2.710" x 1.830").....	34074	18992
074A	Rear Output Seal (3.035" x 2.125").....	424074	21938
074A	Rear Output Seal (2.385" x 1.430").....	44074	15041
GASKETS & O-RINGS			
N.I.	Adapter to Transfer Case Gasket (Ford).....	331304B	TC2030-12
N.I.	Adapter to Transfer Case Gasket (GM)	331304A	TC2030-9
N.I.	Transmission to Adapter Gasket (Dodge).....	22305AB	2466954
330A	Oil Pickup Tube O-Ring (All Except NP 241DHD)	411330	AS109
333B	Selector Shaft O-Ring	351333	4167963
BUSHINGS			
066A	Extension Housing (2.340" OD) (31 Spline Output) (97-02) (NP 241DHD).....	334066	18172
066A	Extension Housing (2.010" OD) (32 Spline Output) (Slip Yoke Type).....	331066	WT297-62
334B	Range Fork Rail Bushing (All Except NP 241DHD).....	351334	15547404
WASHERS			
215C	Planet Thrust Washer (Plastic)	411215	5012367AA
BEARINGS & RACES			
268F	Front Output Shaft Bearing (Front) (72mm OD)	331268	207
268F	Front Output Shaft Bearing (Front) (80mm OD)	342240	6307-N
269F	Front Output Shaft Bearing (Rear).....	331268B	SCE2416
242C	Input Bearing (.630" Wide).....	351240A	6010-N
242C	Input Bearing (.940" Wide) (BD50-8)	351240	BD50-8
240C	Input to Main Shaft Pocket Bearing	411240	DB59856
240C	Input to Main Shaft Needle Type Pocket Bearing (NP 241DHD)	426267	SCE2110
211E	Mode Sprocket Bearing (.940" Wide).....	303211A	HK5020
220E	Output Bearing (Rear) (35mm ID).....	331268	207
220E	Output Bearing (Rear) (41mm ID) use w/ 352672	352268A	BB1-1015

ILL NO.	DESCRIPTION	PART NO.	REFERENCE
FORKS			
850B	Mode Fork (Iron) (Cast # 16196) (All Except NP 241DHD)	352850A	16267
850B	Mode Fork (Cast # 16342-B)	352850	17025
850B	Mode Fork (Cast # 17769) (Dodge Including NP 241DHD).....	351850	17790
849B	Range Fork (Cast # 17833) (Drivers Side Front Output) (Aluminum).....	352849A	17833
849B	Range Fork (Cast/Stamped # 338).....	352849	16337
849B	Range Fork (Cast # 17524) (NP 241DHD)	352849B	17543
N.I.	Fork Insert Kit.....	321840K	INSK-207
COLLARS			
645D	Range Collar (Retained on Tube w/ Snap Ring) (NP 241DHD).....	352825	17522
SLIDERS			
646D	Mode Slider (48T) (All Except NP 241DHD)	351646	241-15
646D	Mode Slider (60T) (NP 241DHD)	352646B	17773
645D	Range Slider & Hub (All Except NP 241DHD).....	351645K	19114
N.I.	Range Slider Tube (2 Piece Design) (NP 241DHD)	352463	17521
SYNCHRONIZERS			
701KD	Mode Assembly (Complete) (48T) (All Except NP 241DHD)	351701K	17915
701D	Mode Synchro (48T) (NP 241) (All Except NP 241DHD).....	351701	241-14
701D	Mode Synchro (60T) (Dodge Including NP 241DHD)	351701A	17779
843-2D	Key & Spring Kit (48T) (All Except NP 241DHD).....	331843-2K	NP 208-K
843-2D	Key & Spring Kit (60T) (Dodge Including NP 241DHD).....	331843A-2K	NP 241-K
N.I.	Synchro Spring (Mode Assembly).....	352710	17778
N.I.	Synchro Key (Mode Assembly).....	351701-2	14037972
PUMPS			
500E	Pump Assembly (31 Spline).....	352500	24956
500E	Pump Assembly (32 Spline).....	351500	16209
PLANETS			
588D	Except Dodge HD (used w/ .940" Wide Input Brg) (Wide Teeth) (88-94)	351588	16550
588D	Except Dodge HD (used w/ .630" Wide Input Brg) (Narrow Teeth) (94-Up)	351588A	17869
588D	Dodge NP241DHD (used w/ .940" Wide Input Brg) (Wide Teeth) (1994 Only).....	352588C	17517
588D	Dodge NP241DHD (used w/ .630" Wide Input Brg) (Narrow Teeth) (94-02)	352588B	17944
INPUT SHAFTS			
670C	GM (27 Spline) (.630" Wide Input Bearing).....	352670B	19020
670C	GM (27 Spline) (.940" Wide Input Bearing).....	352670D	16959
670C	GM (32 Spline) (.630" Wide Input Bearing).....	391670	19019
670C	GM (32 Spline) (.940" Wide Input Bearing).....	352670C	17118
670C	Dodge (23 Spline) (4.25") (.630" Wide Input Brg).....	352670DA	21288
670C	Dodge (23 Spline) (5") (.630" Wide Input Brg) (Wide Teeth) (88-94)	352670CG	22390
670C	Dodge (23 Spline) (5") (.630" Wide Input Brg) (Narrow Teeth) (94-Up)	352670CC	17949
670C	Dodge (23 Spline) (5") (.940" Wide Input Brg) (Wide Teeth) (88-94)	371670B	17822
670C	Dodge (23 Spline) (5") (.940" Wide Input Brg) (Narrow Teeth) (94-Up).....	352670CB	17953
670C	Dodge (29 Spline) (5") (.630" Wide Input Bearing)	352670EA	22409
670C	Dodge (29 Spline) (5") (.940" Wide Input Bearing)	352670CD	17954
OUTPUT SHAFTS			
672E	Main Shaft (31 Spline) (19 7/16") (Dodge NP 241DHD).....	352672	34955
672E	Main Shaft (32 Spline) (19 7/16") (Dodge NP 241DHD).....	352672A	20480
672E	Main Shaft (32 Spline) (18 1/2") (Dodge Except NP 241DHD).....	352672B	20482
CASES & HOUSINGS			
760-2A	Case Half (Rear) (Cast # 17547) (NP 241DHD)	352760-2	21653
770A	Rear Bearing Housing w/ Speedo (Cast # 21655) (NP 241DHD).....	352770	21654
772A	Extension Housing, Slip-Yoke (94-96) (Cast # 16258) (NP 241DHD)	352772	4746150

NP 241

